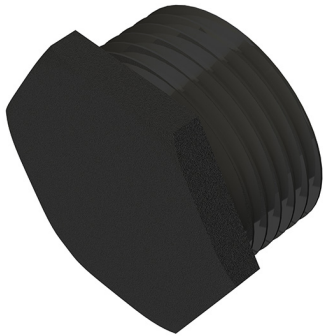


PRODUCT CODE: HSP1B
HEXAGON STOPPING PLUG



DESCRIPTION

20mm Hexagon Conduit Stopping Plug

FINISH

Black Enamel

MATERIAL

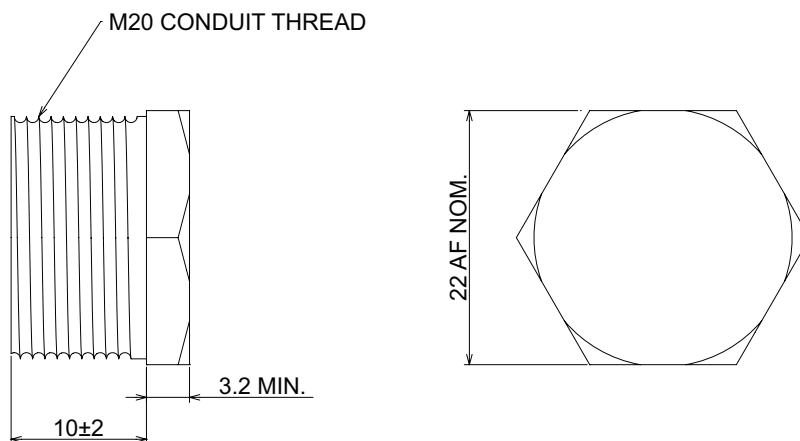
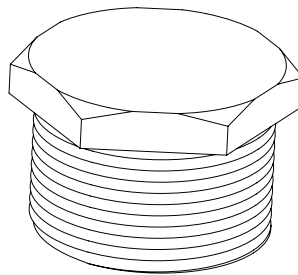
Steel


PACKAGING

Packed in qty 50

ADDITIONAL NOTES

Conforms to BS EN61386-1
Compliant to LU Standard 1-085 (for use on surface & sub-surface locations)



 Values are nominal and with a general tolerance $\pm 5\%$ unless otherwise specified